



A wish for wellness...

## USER MANUAL

Clay Multi Cooker Plus:0102



[www.hitechappliances.net](http://www.hitechappliances.net)

Dear user:

Thank you for purchasing Elite cooker, in order for you to properly use and maintain the unit, please read the instructions carefully before use , and keep it for future reference.

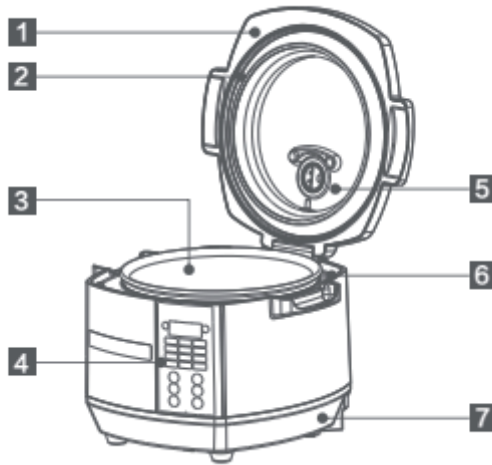
All content in this manual is for the user to use and maintain reference , the specific kind prevail , pictures for reference only . If you are using on the problem persists, please contact our dealer or customer service center consulting , we will promptly provide you with satisfactory service.

## Safety Precautions

- Please read before using this manual , and keep it properly .
- This product is only as home use , does not apply to other places.
- We must use more than the rated current of 10A with a grounded outlet , plug pay attention seated . Do not use the socket in use simultaneously with other appliances .
- Plug into the socket , you must plug in the end , otherwise they will cause poor contact element overheating burn.
- Do not plug the plug with wet hands to avoid electric shock , the product when not in use , unplug the power cord.
- Do not put the product away from children accessible , or allow children to use alone , to avoid electric shock or burns.
- IHP metal shavings , wire, needles and other foreign objects inside the product or gap, may cause electric shock or abnormal working .
- Must be placed on the use of smooth desktop when using this product , do not use this product in high temperature, high humidity. And away from combustibles .
- This product does not apply the following persons : sensory or mental dysfunction, lack of experience or knowledge (including children ) and other people to use. Unless they use the product under the supervision of professionals. Children should be supervised to ensure that they do not play with the product.
- Make sure the power cord will not , other sharp objects protruding surface thermal contact with an article sharp edges or burrs , which may cause leakage, electric shock or fire.
- May appear when you first use a few odor , it is a normal phenomenon .
- Use only the inner pot attaching this product , do not use other manufacturers or other inner pot in place , so as to avoid product malfunction or danger.
- The inner pot is not placed before the inner pot pot is empty or , do not start operating .
- Inside the pot can not be placed on other furnace is heated , otherwise easily lead to breakage.
- No inner pan into the pot before the body , do not put any food or water in the pot body inside .
- Do not remove the inner pot when the product is working , to avoid danger.
- Product will generate heat and steam when in use. Keep hands and face away from the steam vent to prevent burns.
- When using rags and other items Do not cover the steam vent to avoid cover deformation and failure of the product .
- Whether the inner pot before the pot body has a grain of rice or other food residue adhesion within the first portion and the bottom of the pot to confirm the heating plate , if sure to remove and then placed in a pot , otherwise they will be hot plate poor contact with the inner pot burn components.

- After the inner pot sure that the inner pot and the heating element completely fit tightly .
- When the inner pot if damaged , do not continue to use, you should contact the company service personnel to purchase a new inner pot .
- When cleaning the product , the product must not be immersed in water or wash under the tap.
- If the power supply cord or plug is damaged , the situation is broken , you must use a special cord or replacing specific components from the manufacturer or designated repair unit purchased.
- If a failure occurs when the product , turn the power off and unplug from the outlet , do not continue to use, and contact our service personnel , not replace their own non-original parts or disassemble maintenance.

### Product Part Names



- |                      |                                |
|----------------------|--------------------------------|
| 1.Cover              | 2.Sealing cover, sealing strip |
| 3.Cermamic inner pot | 4.Control panel                |
| 5.Steam value        | 6.middle ring                  |
| 7.Base               |                                |

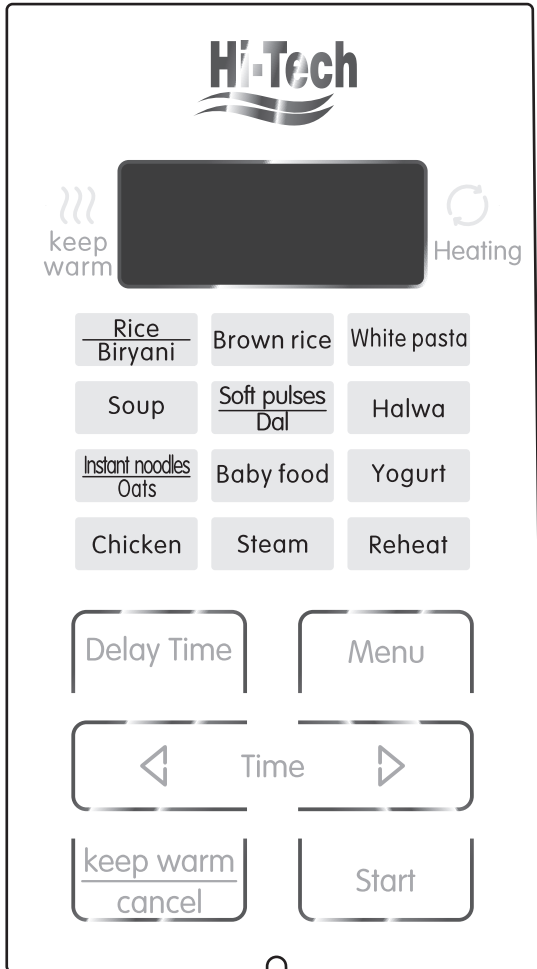
### Product Random Accessories

rice cooker	inner pot	rice spoon	soup spoon	measuring cup	steamer	power cord	manual	Service Card
1set	1pcs	1pcs	1pcs	1pcs	1pcs	1pcs	1pcs	1pcs

# Product Specifications

Model	Pated power	Rated frequency	Rated capacity	cook rice (cups)	suitable for peoples	Energy level
EB-TFC40H4	220V~50Hz	790W	4L	2-6	2-6person	5

# User interface



Function Keys : Press "Menu" button, select the function you need , corresponding indicator lights up , press the "Start " button to enter the rice cooker cooking status .

Delay time key: Select any one function , press delay time key , according to the time required to press the " time " key to adjust the time , after the selection is completed, press the "Start " button to enter the cooking status .

- Press the "Time " key to adjust the hours and minutes.
- You can adjust the reservation longest appointment time is 24 hours .
- To prevent food a long soak in the water odor, the appointment time is best not more than 12 hours .
- Set up appointments for less than the cooking time , the rice cooker will not enter reservation status , and direct access to functions started working set .
- After setting, press "Start" key to confirm the reservation and start cooking function .

Time Key : selection mode and select an appointment time mode function under the cooking time , according to the required adjustment of working hours.

Tips: some functions can not adjust the cooking time .

Keep warm/ cancel button :

- In standby mode , press the " insulation " button, enter insulation function , insulation indicator lights , holding time up to 8 hours , automatically enter standby mode after the end of the incubation time
- In cooking state , press "Cancel" key to cancel the current function , enter standby mode.

Start button:

- After selecting the desired cooking function, press the "Start" key , heating indicator lights , rice cookers work.
- After selecting the function is completed, the buzzer "tick" "tick" "tick" sound after a few prompts tweet cooking is complete, the rice cooker automatically into the insulating state (after yogurt functions into standby state ) , heat indicator lights display holding time .

## Prepare for use

- Verify that the steam valve is installed correctly , such as a steam valve is not install to start cooking , may be soup overflow.

- With a measuring cup with a correct weighing rice , washing clean .
  - A flat cup measuring cup is about 150g.
  - Not including direct panning pot .

- The maximum amount of cooking rice 4L 6 cups of rice , according to the proportion of their actual need to select the amount of rice , rice and water is recommended for 1.2 cups water 1 cup of rice , you can also add water according to the scale line , for example : When you cook 2 cups of rice , the Amoy good rice into the pot , add water to the scale of the corresponding 2 Do not exceed the maximum amount of cooking rice ( rice and water ratio can adjust their own discretion based on personal preferences and rice species ) .
  - The maximum amount shall not exceed the maximum water level inside the pot marked line

- Put the inner pot before the pot body , please confirm whether there is a grain of rice or other food residue adhesive on the inside bottom of the pan and heating plate , if sure to remove and then into the pot , make sure that the rear into the inner pot and the heating plate completely fit tightly .

Cooking time for each function reference table

Function	Default time	Adjust cook time
Rice/Biryani	—	—
Brown rice	—	—
White pasta	1hour30minutes	1-3hour
Soup	1hour30minutes	1-4 hour
Soft pulses / Dal	—	—
Halwa	1hour30minutes	1-3 hour
Instant noodles / Oats	1 minutes	5minuts-1hour
Baby food	1hour30minutes	1-3hour
Yogurt	6hour	3-12 hour
Chicken	1hour	1-4 hour
Steam	30minutes	10minutes-1hour
Reheat	25minutes	10 -40minutes

## Function Tips

- Cooking time described in the table will be based on the voltage , the amount of rice , water , temperature , rice qualitatively different and slightly different. To prevent caking rice is not good, please turn loose the rice within 30 minutes after entering the insulating state
- When cooking, turn insulation after rice cooker stew with rice 15 minutes , the better.
- Cook rice porridge function maximum amount 4L to 1 cup , recommendations rice water ratio of 1 : 8 .
- Old fire soup / stew functional nutrition maximum water level should not exceed 70% of the capacity of the inner pot .
- The maximum amount of yogurt cooking , should not exceed 1100ml.

### Yogurt practice :

Material : plain yogurt 100ml ( or Bifidobacterium 1g), pure milk 1000ml, one or more sealed container .

### Production process:

- The sealed container washed with hot water , dry container. ( Keep container dry , clean)
- Pure milk in the container , slowly adding plain yogurt ( or Bifidobacterium ) , then spoon stir
- Replace the lid , place the rice cooker inner pot , choose yogurt function , according to preferences set time ( 6-12 hours ) , press the start button , after the function is completed in standby status .
- Opens the container lid, you can see yogurt curd -like form , it can be eaten with the addition of other ingredients according to personal preference .

Tips: plain yogurt and milk ratio is 1:10 , pure milk and bifidobacteria ratio of 1L of milk with 1g of bifidobacteria , can also be made directly inside the pot .

## Insulation function

Rice cooker cooking function in the work is completed , automatically transferred to the insulation function , insulation indicator lights.

- Will be transferred to the standby mode after the yogurt function .
- Holding a maximum of 8 hours .

Rice cooker in standby mode , press the " keep warm/ Cancel" button , enter the insulation function .



### Cleaning and maintenance

- Cleaning the inner pot and seal with hot water , detergent and sponges . Do not use scouring powder and steel balls.
- If food sticks to the inner pot bottom of the pot , you can soak a while before cleaning, then wipe clean the inner pot .
- Do not place the meter placed in the pot washing , cleaning should be placed in other containers of the product and then poured into the pot , so as not to cause damage inside the pot .
- Use a damp cloth to clean the rice cooker in the ring and outside the ring .
- If there is water on the hot plate , use dry cloth , charred rice if there is , please polished off with a steel ball or sandpaper .
- closures and steam valve , please regular cleaning , avoid rice odors.
- When not in use for a long time , should pull the plug out of the socket and placed in a dry place collection.
- Before cleaning the product , make sure the power cord unplugged from the power outlet , and wait until completely cooled before cleaning the product, to prevent burns .

### Failures and Approach

When the following anomalies occur when using , not exactly a machine malfunction , please check in detail once again before sending maintenance.  
 In addition to the repair technician , is strictly prohibited disassemble and repair.

Failure phenomenon	cause	Solution
Light does not shine	Power is not turned	Check whether the product is plugged in tight supply
	PCB failure	Contact with the company's customer service staff
Heating plate without heating	PCB failure	Contact with the company's customer service staff
	Fever disk failure	
	Blown fuse	
Lights , heating plate is not hot	Fever disk failure	Contact with the company's customer service staff
	PCB failure	

Cook unfamiliar	Too much or too little amount of cook	Adjust meter, water capacity, range from the maximum to minimum tick
	The ratio of rice and water right	Adjust the ratio of rice and water
	The inner pot is not put away , dangling	Will be put inside the pot, gently press down, so that the restoration of normal
	There is a foreign body between the pot and the heating plate.	Clean foreign body
	Inside pot damage	Contact the company's customer service staff to buy a new pot
	PCB failure	Contact the company's customer service staff
	Sensor failure	Contact the company's customer service staff
Cooking coke	Inside pot damage	Contact the company's customer service staff to buy a new pot
	The inner pot is not put away , dangling	Will be put inside the pot, gently press down, so that the restoration of normal
	PCB failure	Contact the company's customer service staff
	Sensor failure	Contact the company's customer service staff
overflow	Too much boiling	Will adjust to moderate
	Rice water ratio is not appropriate	Reduce the amount of water
	Function error	Choose the right features
Plastic taste	normal phenomenon	After the rice cooker used several times, the taste will not be
E1 , E2 , E3 , E4Digital tube display error code: E1, E2, E4, E3	Circuit board or sensor failure	First unplug the power plug, the rice cooker after cooling is still a failure, contact the company's customer service staff

Circuit diagram

